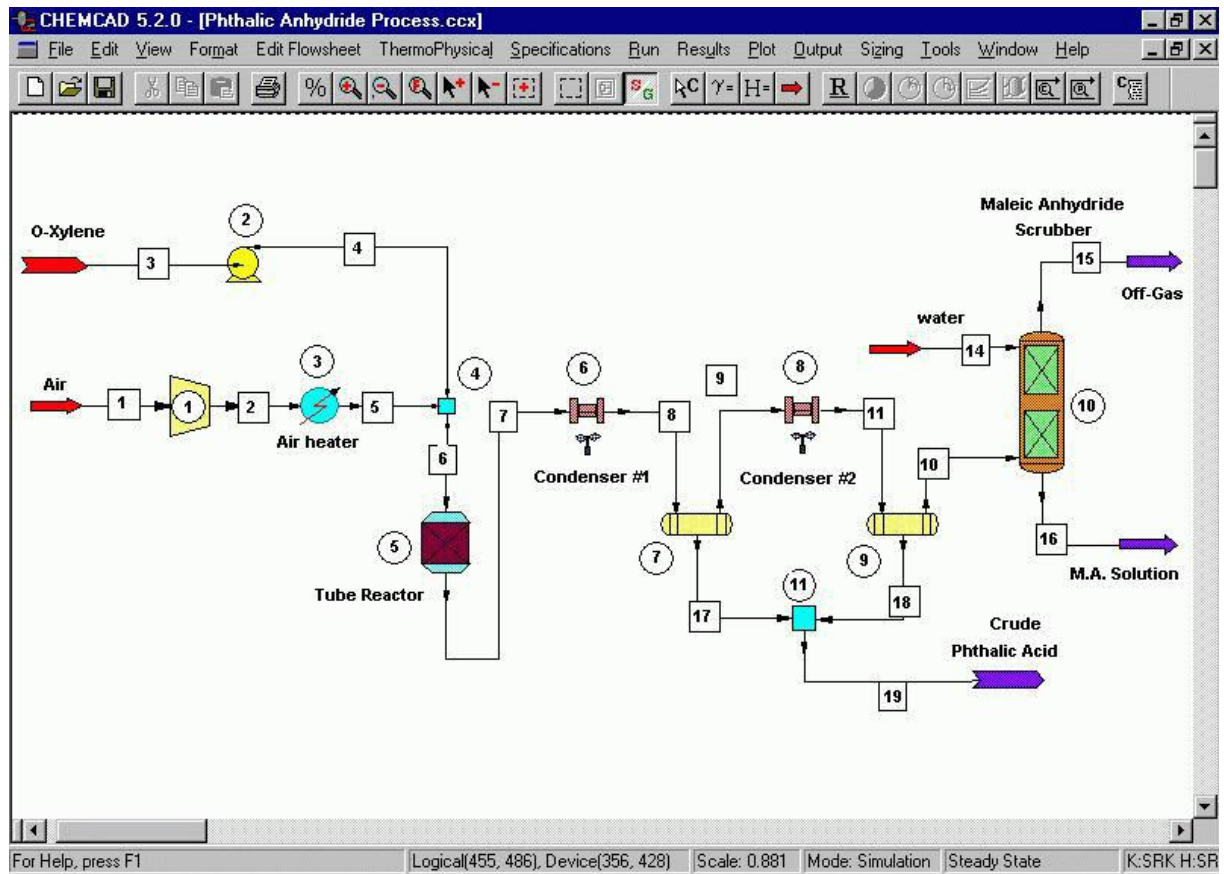


Bezwodnik ftalowy Flowsheeting program http://en.wikipedia.org/wiki/Process_flowsheeting



http://www.rccostello.com/process_modeling_simulation.html